



S

wivel

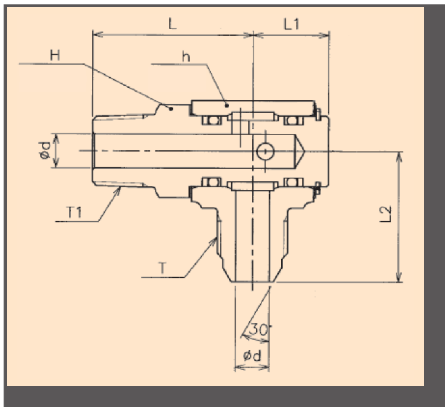
Joint



IHARA SCIENCE CORPORATION

Type : SJC

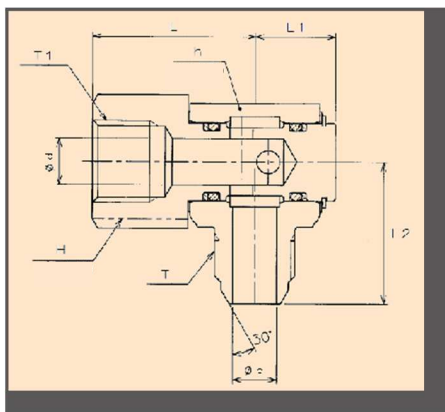
Elbow type (14MPa)



SJC6 * * - 4 * *

Unit : mm

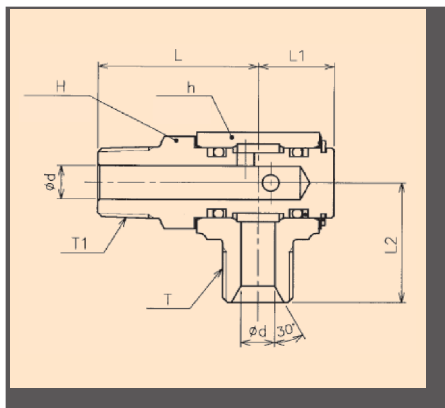
Model Nos.	T (G)	T1 (R)	d	L	L1	L2	h Width across flats	H Hex. width
SJC602-402	1/4	1/4	5	34.5	16.5	29	22	14
SJC603-403	3/8	3/8	8	38	18	31	24	19
SJC604-404	1/2	1/2	11.5	45.5	21	37	30	22
SJC606-406	3/4	3/4	16	54	26	41	36	30
SJC608-408	1	1	20	63.5	32	47	46	36



SJC6 * * - 5 * *

Unit : mm

Model Nos.	T (G)	T1 (Rc)	d	L	L1	L2	h	H
SJC602-502	1/4	1/4	5	31.5	16.5	29	22	19
SJC603-503	3/8	3/8	8	35	18	31	24	24
SJC604-504	1/2	1/2	11.5	42.5	21	37	30	30
SJC606-506	3/4	3/4	16	51	26	41	36	36
SJC608-508	1	1	20	60.5	32	47	46	41



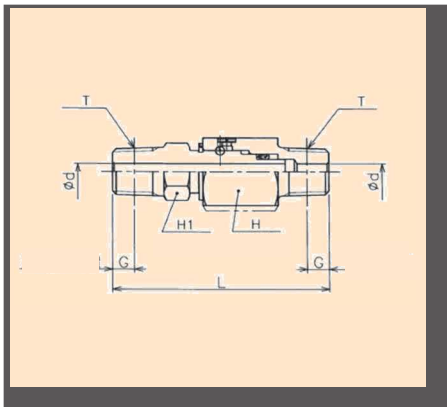
SJC7 * * - 4 * *

Unit : mm

Model Nos.	T (G)	T1 (R)	d	L	L1	L2	h	H
SJC702-402	1/4	1/4	5	34.5	16.5	26	22	14
SJC703-403	3/8	3/8	8	38	18	28	24	19
SJC704-404	1/2	1/2	11.5	45.5	21	35	30	22
SJC706-406	3/4	3/4	16	54	26	40	36	30
SJC708-408	1	1	20	63.5	32	47	46	36

Type : SJK

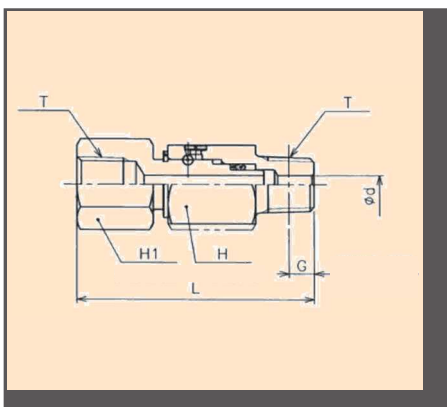
Straight type (14 MPa)



SJK4 * * - 4 * *

Unit : mm

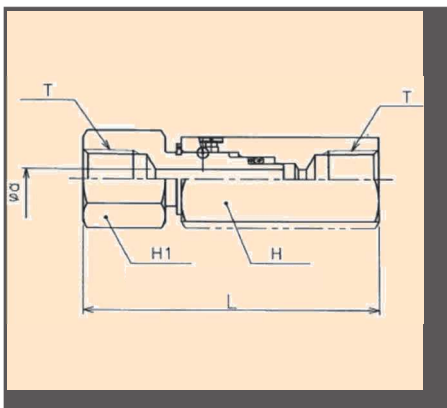
Model Nos.	T (R)	d	Hex. width		Position at standard diameter, G	
			L	H		
SJK402-402	1/4	4.5	59	19	14	6.01
SJK403-403	3/8	7	62	22	19	6.35
SJK404-404	1/2	10	70.5	27	22	8.16
SJK406-406	3/4	13	94.5	36	30	9.53
SJK408-408	1	18	108	41	36	10.39
SJK410-410	1 1/4	25	118.5	50	46	12.7



SJK4 * * - 5 * *

Unit : mm

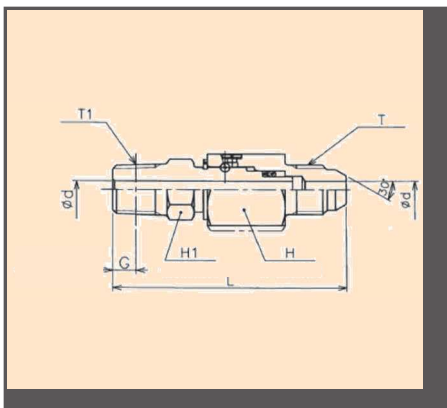
Model Nos.	T (R×Rc)	d	Hex. width.		G	
			L	H		
SJK402-502	1/4	4.5	56	19	19	6.01
SJK403-503	3/8	7	60	22	22	6.35
SJK404-504	1/2	10	67.5	27	27	8.16
SJK406-506	3/4	13	91.5	36	36	9.53
SJK408-508	1	18	101	41	41	10.39
SJK410-510	1 1/4	25	109.5	50	50	12.7



SJK5 * * - 5 * *

Unit : mm

Model Nos.	T (Rc)	d	Hex. width		
			L	H	
SJK502-502	1/4	4.5	65	19	19
SJK503-503	3/8	7	69.5	22	22
SJK504-504	1/2	10	78.5	27	27
SJK506-506	3/4	13	102	36	36
SJK508-508	1	18	109	41	41
SJK510-510	1 1/4	25	119.5	50	50

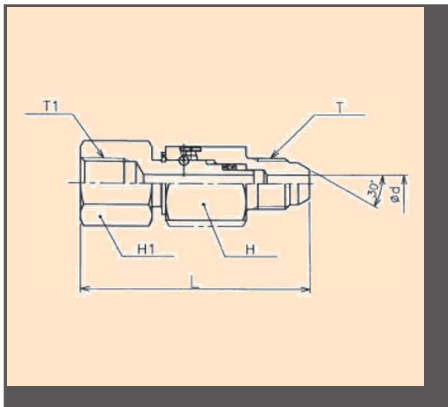


SJK6 * * - 4 * *

Unit : mm

Model Nos.	T (G)	T1 (R)	d	Hex. width		G	
				L	H		
SJK602-402	1/4	1/4	4.5	61	19	14	6.01
SJK603-403	3/8	3/8	7	64.5	22	19	6.35
SJK604-404	1/2	1/2	10	72.5	27	22	8.16
SJK606-406	3/4	3/4	13	95	36	30	9.53
SJK608-408	1	1	18	106.5	41	36	10.39
SJK610-410	1 1/4	1 1/4	25	118.5	50	46	12.7

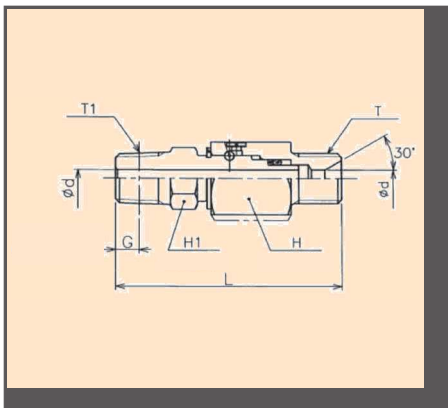
Type : SJK



SJK6 * * - 5 * *

Unit : mm

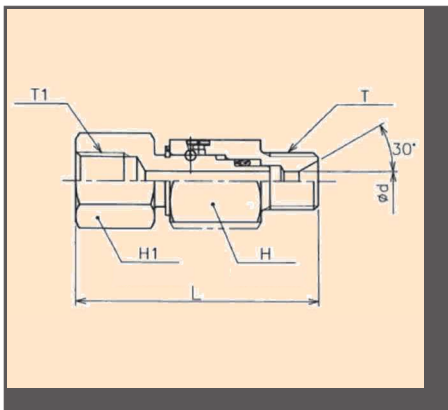
Model Nos.	T (G)	T1 (Rc)	d	Hex. width		
				L	H	H1
SJK602-502	1/4	1/4	4.5	58	19	19
SJK603-503	3/8	3/8	7	62.5	22	22
SJK604-504	1/2	1/2	10	69.5	27	27
SJK606-506	3/4	3/4	13	92	36	36
SJK608-508	1	1	18	99.5	41	41
SJK610-510	1 1/4	1 1/4	25	109.5	50	50



SJK7 * * - 4 * *

Unit : mm

Model Nos.	T (G)	T1 (R)	d	Hex. width			G
				L	H	H1	
SJK702-402	1/4	1/4	4.5	58	19	14	6.01
SJK703-403	3/8	3/8	7	62	22	19	6.35
SJK704-404	1/2	1/2	10	70.5	27	22	8.16
SJK706-406	3/4	3/4	13	93.5	36	30	9.53
SJK708-408	1	1	18	106	41	36	10.39
SJK710-410	1 1/4	1 1/4	25	117.5	50	46	12.7



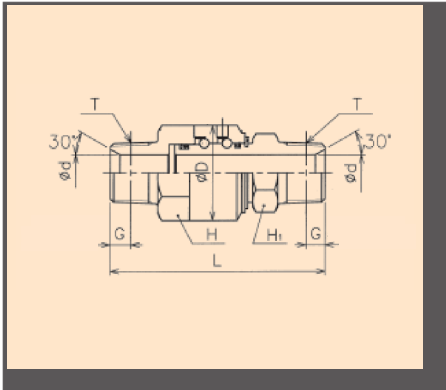
SJK7 * * - 5 * *

Unit : mm

Model Nos.	T (G)	T1 (Rc)	d	Hex. width		
				L	H	H1
SJK702-502	1/4	1/4	4.5	55	19	19
SJK703-503	3/8	3/8	7	60	22	22
SJK704-504	1/2	1/2	10	67.5	27	27
SJK706-506	3/4	3/4	13	90.5	36	36
SJK708-508	1	1	18	99	41	41
SJK710-510	1 1/4	1 1/4	25	108.5	50	50

Type : SJM

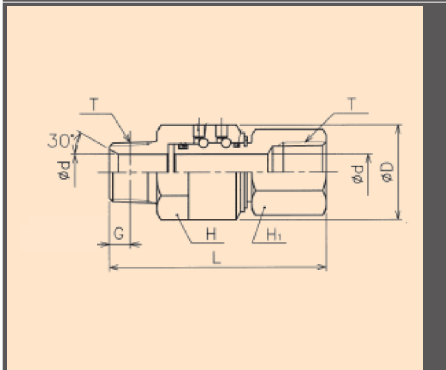
Straight type (21 MPa)



SJM4 * * - 4 * *

Unit : mm

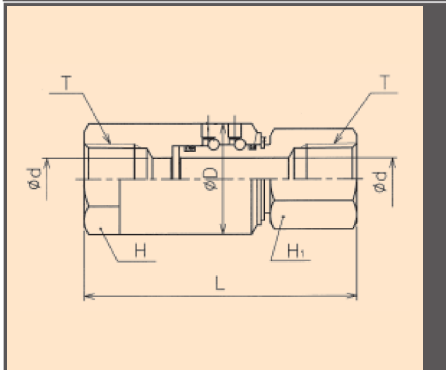
Model Nos.	T (R)	d	D	Hex. width			G
				L	H	H1	
SJM402-402	1/4	5	25.5	64	22	14	6.01
SJM403-403	3/8	8	28.5	75	22	19	6.35
SJM404-404	1/2	11.5	33	85	27	22	8.16
SJM406-406	3/4	16	42	97	36	30	9.53
SJM408-408	1	20	47.5	107	41	36	10.39
SJM410-410	1 1/4	26	58	126.5	50	46	12.7



SJM4 * * - 5 * *

Unit : mm

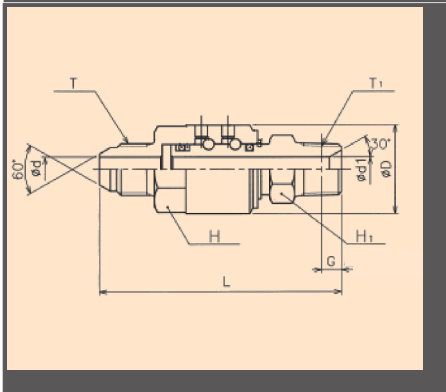
Model Nos.	T (R×Rc)	d	D	Hex. size			G
				L	H	H1	
SJM402-502	1/4	5	25.5	61	22	19	6.01
SJM403-503	3/8	8	28.5	72	22	24	6.35
SJM404-504	1/2	11.5	33	82	27	30	8.16
SJM406-506	3/4	16	42	94	36	36	9.53
SJM408-508	1	20	47.5	104	41	46	10.39
SJM410-510	1 1/4	26	58	123.5	50	55	12.7



SJM5 * * - 5 * *

Unit : mm

Model Nos.	T (Rc)	d	D	Hex. width		
				L	H	H1
SJM502-502	1/4	5	25.5	62	22	19
SJM503-503	3/8	8	28.5	73	24	24
SJM504-504	1/2	11.5	33	84	30	30
SJM506-506	3/4	16	42	94	36	36
SJM508-508	1	20	—	105	50	46
SJM510-510	1 1/4	26	—	124	60	55

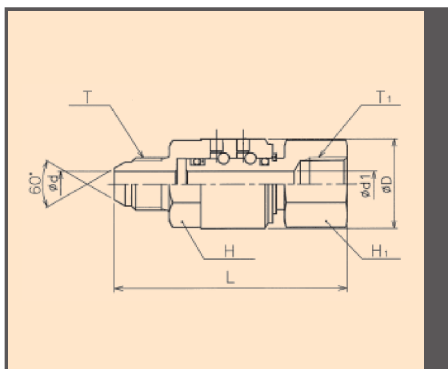


SJM6 * * - 4 * *

Unit : mm

Model Nos.	T (G)	T1 (R)	d	d1	D	Hex. width			G
						L	H	H1	
SJM602-402	1/4	1/4	5	5	25.5	66	22	14	6.01
SJM603-403	3/8	3/8	8	8	28.5	77.5	22	19	6.35
SJM604-404	1/2	1/2	11	11.5	33	86	27	22	8.16
SJM606-406	3/4	3/4	16	16	42	97.5	36	30	9.53
SJM608-408	1	1	20	20	47.5	105.5	41	36	10.39
SJM610-410	1 1/4	1 1/4	26	26	58	126.5	50	46	12.7

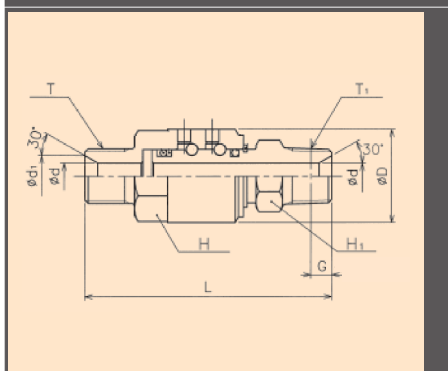
Type : SJM



SJM6 * * - 5 * *

Unit : mm

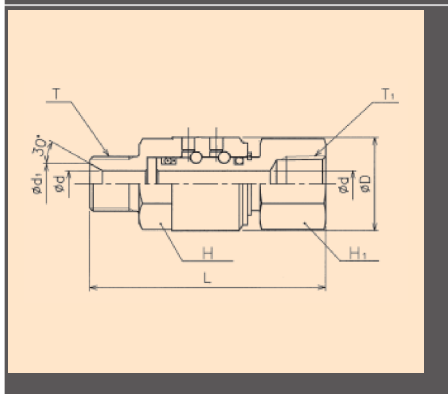
Model Nos.	T (G)	T1 (Rc)	d	d1	D	L	Hex. width	
							H	H1
SJM602-502	1/4	1/4	5	5	25.5	63	22	19
SJM603-503	3/8	3/8	8	8	28.5	74.5	22	24
SJM604-504	1/2	1/2	11	11.5	33	83	27	30
SJM606-506	3/4	3/4	16	16	42	94.5	36	36
SJM608-508	1	1	20	20	47.5	102.5	41	46
SJM610-510	1 1/4	1 1/4	26	26	58	123.5	50	55



SJM7 * * - 4 * *

Unit : mm

Model Nos.	T (G)	T1 (R)	d	d1	D	L	Hex. width		G
							H	H1	
SJM702-402	1/4	1/4	5	9.5	25.5	63	22	14	6.01
SJM703-403	3/8	3/8	8	12.5	28.5	75	22	19	6.35
SJM704-404	1/2	1/2	11.5	16	33	84	27	22	8.16
SJM706-406	3/4	3/4	16	21.5	42	96	36	30	9.53
SJM708-408	1	1	20	27.5	47.5	105	41	36	10.39
SJM710-410	1 1/4	1 1/4	26	36	58	125.5	50	46	12.7



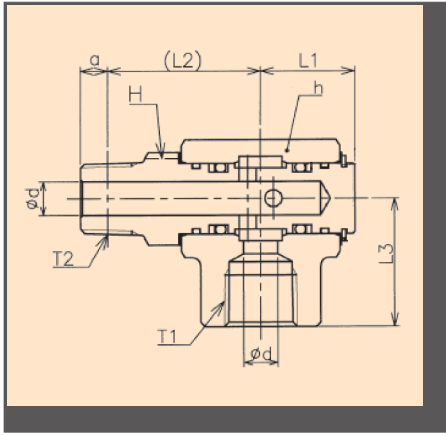
SJM7 * * - 5 * *

Unit : mm

Model Nos.	T (G)	T1 (Rc)	d	d1	D	L	Hex. width	
							H	H1
SJM702-502	1/4	1/4	5	9.5	25.5	60	22	19
SJM703-503	3/8	3/8	8	12.5	28.5	72	22	24
SJM704-504	1/2	1/2	11.5	16	33	81	27	30
SJM706-506	3/4	3/4	16	21.5	42	93	36	36
SJM708-508	1	1	20	27.5	47.5	102	41	46
SJM710-510	1 1/4	1 1/4	26	36	58	122.5	50	55

Type : SJS

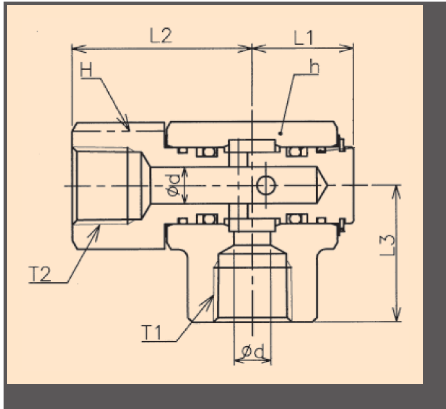
Elbow type (21MPa)



SJS5 * * - 4 * *

Unit : mm

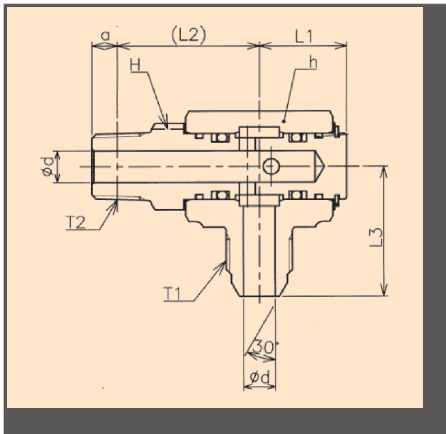
Mod	T1 (Rc)	T2 (R)	d	L1	L2	L3	a	h	H
SJS502-402	1/4	1/4	5	19.5	31.5	30	6.01	22	14
SJS503-403	3/8	3/8	8	22	35.5	30	6.35	27	19
SJS504-404	1/2	1/2	11.5	24	40.5	35	8.16	32	22
SJS506-406	3/4	3/4	16	30	48.5	42	9.53	41	30
SJS508-408	1	1	20	36	57	46	10.39	46	36
SJS510-410	1 1/4	1 1/4	26	40	65.5	58	12.7	60	46



SJS5 * * - 5 * *

Unit : mm

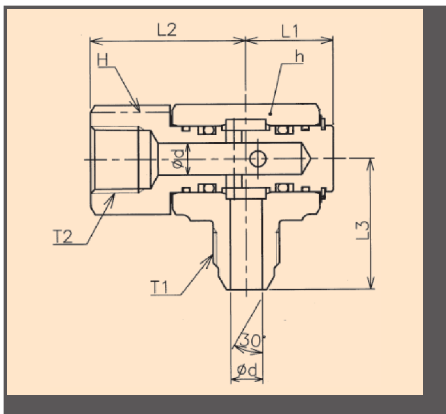
Model Nos.	T1 (Rc)	T2 (Rc)	d	L1	L2	L3	h	H
SJS502-502	1/4	1/4	5	19.5	34.5	30	22	19
SJS503-503	3/8	3/8	8	22	39	30	27	24
SJS504-504	1/2	1/2	11.5	24	45.5	35	32	30
SJS506-506	3/4	3/4	16	30	55	42	41	36
SJS508-508	1	1	20	36	64.5	46	46	41
SJS510-510	1 1/4	1 1/4	26	40	75	58	60	55



SJS6 * * - 4 * *

Unit : mm

Model Nos.	T1 (G)	T2 (R)	d	L1	L2	L3	a	h	H
SJS602-402	1/4	1/4	5	19.5	31.5	30	6.01	22	14
SJS603-403	3/8	3/8	8	22	35.5	33	6.35	27	19
SJS604-404	1/2	1/2	11.5	24	40.5	38	8.16	32	22
SJS606-406	3/4	3/4	16	30	48.5	42	9.53	41	30
SJS608-408	1	1	20	36	57	47	10.39	46	36
SJS610-410	1 1/4	1 1/4	26	40	65.5	63	12.7	60	46

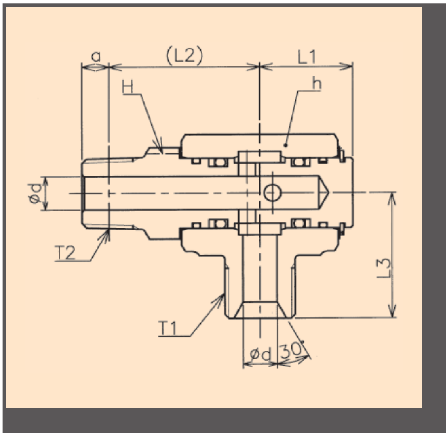


SJS6 * * - 5 * *

Unit : mm

Model Nos.	T1 (G)	T2 (Rc)	d	L1	L2	L3	h	H
SJS602-502	1/4	1/4	5	19.5	34.5	30	22	19
SJS603-503	3/8	3/8	8	22	39	33	27	24
SJS604-504	1/2	1/2	11.5	24	45.5	38	32	30
SJS606-506	3/4	3/4	16	30	55	42	41	36
SJS608-508	1	1	20	36	64.5	47	46	41
SJS610-510	1 1/4	1 1/4	26	40	75	63	60	55

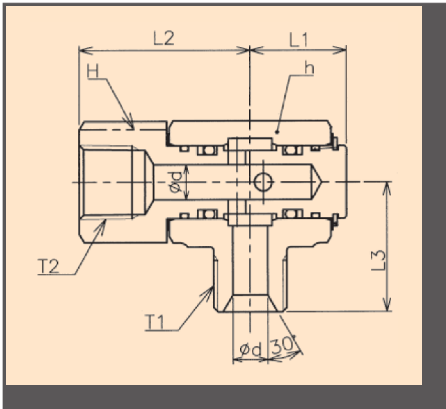
Type : SJS



SJS7 ** - 4 **

Unit : mm

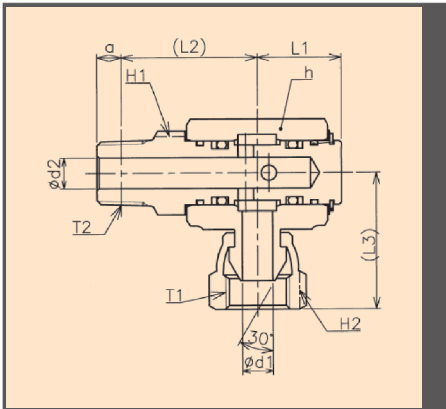
Model Nos.	T1 (G)	T2 (R)	d	L1	L2	L3	a	h	H
SJS702-402	1/4	1/4	5	19.5	31.5	29	6.01	22	14
SJS703-403	3/8	3/8	8	22	35.5	30	6.35	27	19
SJS704-404	1/2	1/2	11.5	24	40.5	35	8.16	32	22
SJS706-406	3/4	3/4	16	30	48.5	41	9.53	41	30
SJS708-408	1	1	20	36	57	47	10.39	46	36
SJS710-410	1 1/4	1 1/4	26	40	65.5	61	12.7	60	46



SJS7 ** - 5 **

Unit : mm

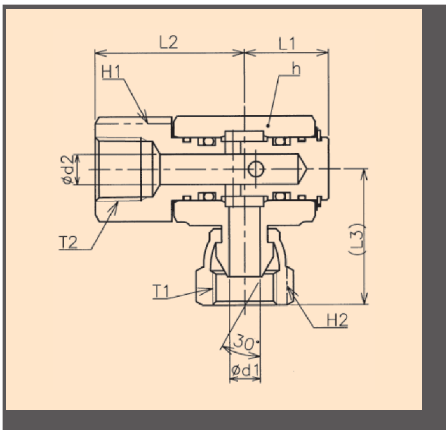
Model Nos.	T1 (G)	T2 (Rc)	d	L1	L2	L3	h	H
SJS702-502	1/4	1/4	5	19.5	34.5	29	22	19
SJS703-503	3/8	3/8	8	22	39	30	27	24
SJS704-504	1/2	1/2	11.5	24	45.5	35	32	30
SJS706-506	3/4	3/4	16	30	55	41	41	36
SJS708-508	1	1	20	36	64.5	47	46	41
SJS710-510	1 1/4	1 1/4	26	40	75	61	60	55



SJS8 ** - 4 **

Unit : mm

Model Nos.	T1 (G)	T2 (R)	d1	d2	L1	L2	L3	h	H1	H2	
SJS802-402	1/4	1/4	5	5	19.5	31.5	32.8	6.01	22	14	19
SJS803-403	3/8	3/8	8	8	22	35.5	34.8	6.35	27	19	22
SJS804-404	1/2	1/2	11.5	11.5	24	40.5	38.8	8.16	32	22	27
SJS806-406	3/4	3/4	16	16	30	48.5	44.6	9.53	41	30	36
SJS808-408	1	1	20	20	36	57	51.3	10.39	46	36	41
SJS810-410	1 1/4	1 1/4	27.5	26	40	65.5	65.5	12.7	60	46	50



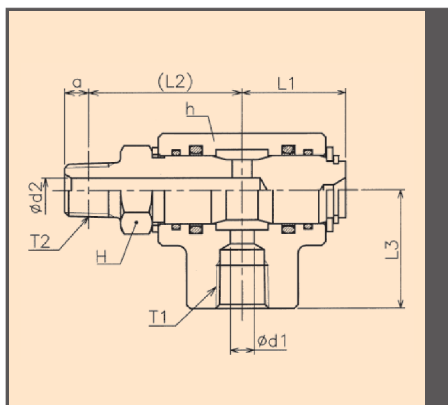
SJS8 ** - 5 **

Unit : mm

Model Nos.	T1 (G)	T2 Rc	d1	d2	L1	L2	L3	h	H1	H2
SJS802-502	1/4	1/4	5	5	19.5	34.5	32.8	22	19	19
SJS803-503	3/8	3/8	8	8	22	39	34.8	27	24	22
SJS804-504	1/2	1/2	11.5	11.5	24	45.5	38.8	32	30	27
SJS806-506	3/4	3/4	16	16	30	55	44.6	41	36	36
SJS808-508	1	1	20	20	36	64.5	51.3	46	41	41
SJS810-510	1 1/4	1 1/4	27.5	26	40	75	65.5	60	55	50

Type : SJH

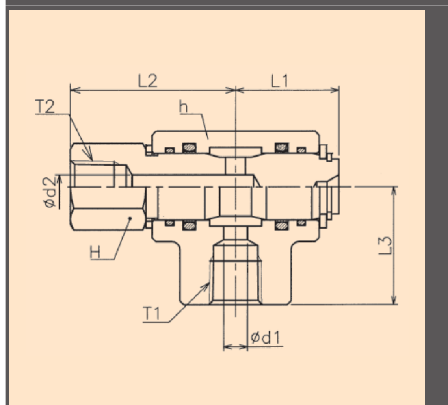
Elbow type (21MPa)



SJH5 * * - 4 * *

Unit : mm

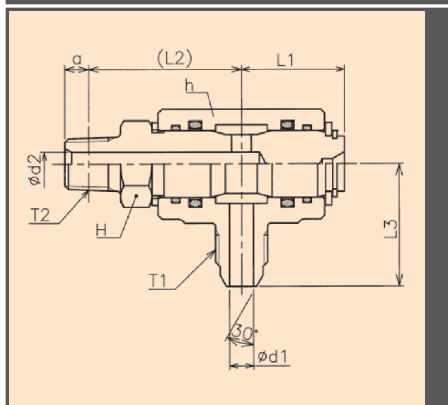
Model Nos.	T1 Rc	T2 (R)	d1	d2	L1	(約)	L3	a	h	H
						L2				
SJH502-402	1/4	1/4	6	6	26	38.5	30	6.01	27	19
SJH503-403	3/8	3/8	9	8.5	26	39.1	30	6.35	27	19
SJH504-404	1/2	1/2	12	12	28	44.3	36	8.16	32	24
SJH506-406	3/4	3/4	16	17	34	52	42	9.53	41	30
SJH508-408	1	1	22	22	36	58.6	46	10.39	46	36
SJH510-410	1 1/4	1 1/4	31	31	41	65.3	59	12.7	70	46
SJH512-412	1 1/2	1 1/2	36	36	45	70.3	63	12.7	85	50



SJH5 * * - 5 * *

Unit : mm

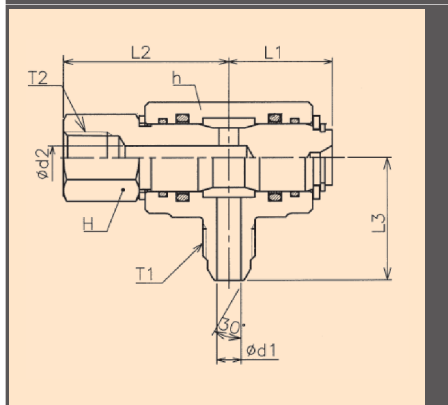
Model Nos.	T1 (Rc)	T2 (Rc)	d1	d2	L1	L2	L3	h	H
SJH502-502	1/4	1/4	6	6	26	41.5	30	27	19
SJH503-503	3/8	3/8	9	8.5	26	42.5	30	27	24
SJH504-504	1/2	1/2	12	12	28	49.5	36	32	30
SJH506-506	3/4	3/4	16	17	34	56.5	42	41	36
SJH508-508	1	1	22	22	36	67	46	46	41
SJH510-510	1 1/4	1 1/4	31	31	41	75	59	70	55
SJH512-512	1 1/2	1 1/2	36	36	45	78	63	85	65



SJH6 * * - 4 * *

Unit : mm

Model Nos.	T1 (G)	T2 (R)	d1	d2	L1	(約)	L3	a	h	H
						L2				
SJH602-402	1/4	1/4	6	6	26	38.5	31	6.01	27	19
SJH603-403	3/8	3/8	9	8.5	26	39.1	33	6.35	27	19
SJH604-404	1/2	1/2	12	12	28	44.3	38	8.16	32	24
SJH606-406	3/4	3/4	16	17	34	52	44	9.53	41	30
SJH608-408	1	1	22	22	36	58.6	54	10.39	46	36
SJH610-410	1 1/4	1 1/4	29	31	41	65.3	63	12.7	70	46
SJH612-412	1 1/2	1 1/2	35	36	45	70.3	70	12.7	85	50

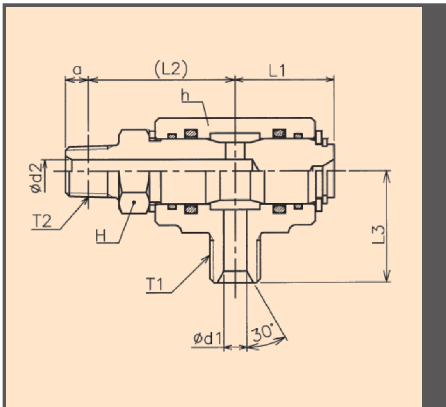


SJH6 * * - 5 * *

Unit : mm

Model Nos.	T1 (G)	T2 (Rc)	d1	d2	L1	L2	L3	h	H
SJH602-502	1/4	1/4	6	6	26	41.5	31	27	19
SJH603-503	3/8	3/8	9	8.5	26	42.5	33	27	24
SJH604-504	1/2	1/2	12	12	28	49.5	38	32	30
SJH606-506	3/4	3/4	16	17	34	56.5	44	41	36
SJH608-508	1	1	22	22	36	67	54	46	41
SJH610-510	1 1/4	1 1/4	29	31	41	75	63	70	55
SJH612-512	1 1/2	1 1/2	35	36	45	78	70	85	65

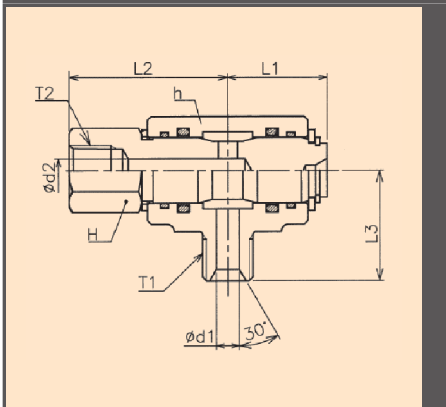
Type : SJH



SJH7 ** - 4 **

Unit : mm

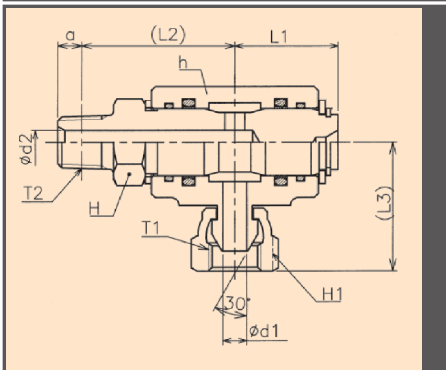
Model Nos.	T1 (G)	T2 (R)	d1	d2	L1	(約)		a	h	H
						L2	L3			
SJH702-402	1/4	1/4	6	6	26	38.5	29	6.01	27	19
SJH703-403	3/8	3/8	9	8.5	26	39.1	30	6.35	27	19
SJH704-404	1/2	1/2	12	12	28	44.3	37	8.16	32	24
SJH706-406	3/4	3/4	16	17	34	52	41	9.53	41	30
SJH708-408	1	1	22	22	36	58.6	49	10.39	46	36
SJH710-410	1 1/4	1 1/4	31	31	41	65.3	61	12.7	70	46
SJH712-412	1 1/2	1 1/2	36	36	45	70.3	68	12.7	85	50



SJH7 ** - 5 **

Unit : mm

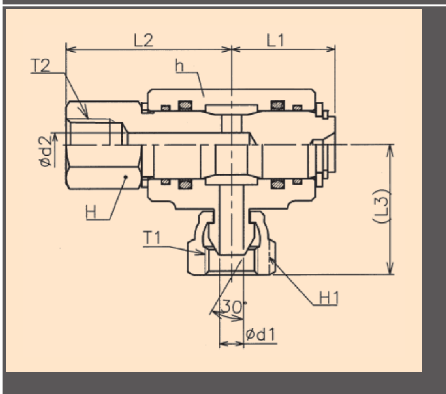
Model Nos.	T1 (G)	T2 (Rc)	d1	d2	L1	L2	L3	h	H
SJH702-502	1/4	1/4	6	6	26	41.5	29	27	19
SJH703-503	3/8	3/8	9	8.5	26	42.5	30	27	24
SJH704-504	1/2	1/2	12	12	28	49.5	37	32	30
SJH706-506	3/4	3/4	16	17	34	56.5	41	41	36
SJH708-508	1	1	22	22	36	67	49	46	41
SJH710-510	1 1/4	1 1/4	31	31	41	75	61	70	55
SJH712-512	1 1/2	1 1/2	36	36	45	78	68	85	65



SJH8 ** - 4 **

Unit : mm

Model Nos.	T1 (G)	T2 (R)	d1	d2	L1	(約)		a	h	H	H1
						L2	L3				
SJH802-402	1/4	1/4	4.5	6	26	38.5	32.5	6.01	27	19	19
SJH803-403	3/8	3/8	7	8.5	26	39.1	34.5	6.35	27	19	22
SJH804-404	1/2	1/2	10	12	28	44.3	41	8.16	32	24	27
SJH806-406	3/4	3/4	16	17	34	52	47	9.53	41	30	36
SJH808-408	1	1	21.5	22	36	58.6	53.5	10.39	46	36	41
SJH810-410	1 1/4	1 1/4	27.5	31	41	65.3	66	12.7	70	46	50



SJH8 ** - 5 **

Unit : mm

Model Nos.	T1 (G)	T2 Rc	d1	d2	L1	L2	(約)		h	H	H1
							L3				
SJH802-502	1/4	1/4	4.5	6	26	41.5	32.5	27	19	19	
SJH803-503	3/8	3/8	7	8.5	26	42.5	34.5	27	24	22	
SJH804-504	1/2	1/2	10	12	28	49.5	41	32	30	27	
SJH806-506	3/4	3/4	16	17	34	56.5	47	41	36	36	
SJH808-508	1	1	21.5	22	36	67	53.5	46	41	41	
SJH810-510	1 1/4	1 1/4	27.5	31	41	75	66	70	55	50	

WARNING

If you do not select and handle fittings, valves and related accessories in an adequate manner, it may damage human beings and applicable systems.

Within the responsibility and authorization of users and piping designers, fittings, valves and related accessories shall be adequately selected, used and maintained based on the applicable conditions and product conformity to the system to be applied. Please read carefully the operation manual and feel free to contact with Ihara, if you have any question or request.

WARRANTY CLAUSE

1. Warranty Period

The warranty period of the products is one (1) year from putting into service or one and half (1.5) years after delivery whichever comes earlier.

However, the products specially specified and/or the cases used under deviating from the specification shall be exempted.

2. Scope of Warranty

Any failure and damage under maker's responsibility will be found during the warranty period, the substitute and/or replacement parts shall be provided at no charge.

The warranty means the warranty of the products of our company.

Any liquidated damages caused by the failure or damage of our product shall be exempted from the scope of the warranty.



IHARA SCIENCE CORPORATION

■ URL <http://www.ihara-sc.co.jp>

